

DN15 50 Screw Connection

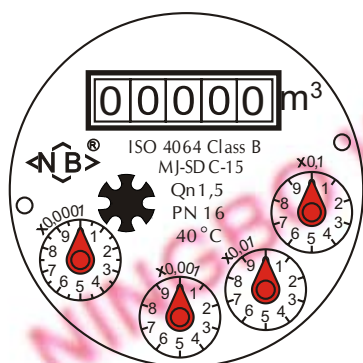


DN50 Flange Connection

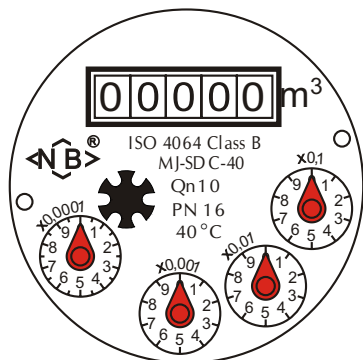


Dial Plate

DN15 32



DN40 50



MJ-SDC(E1)

Multi-jet Dry Type vane Wheel Water Meter

It is a Multi-jet Super dry water meter for residential application in sizes 15mm and 50mm for cold meter.

Features

- Magnetic drive, lower transmission resistance
- Magnetic shield, for external magnetic field protection
- Sealed dry dial register ensures clear reading
- Internal strainer, inlet strainer for selecting
- External Regulating Device

Standards Compliance

- ISO 4064 Class B for horizontal Installation

Optional Features

- Several lengths and connections available on request
- Non return valve
- U.S.gallon(USG) Cubic Feet (CF) for selecting
- Reed switch option

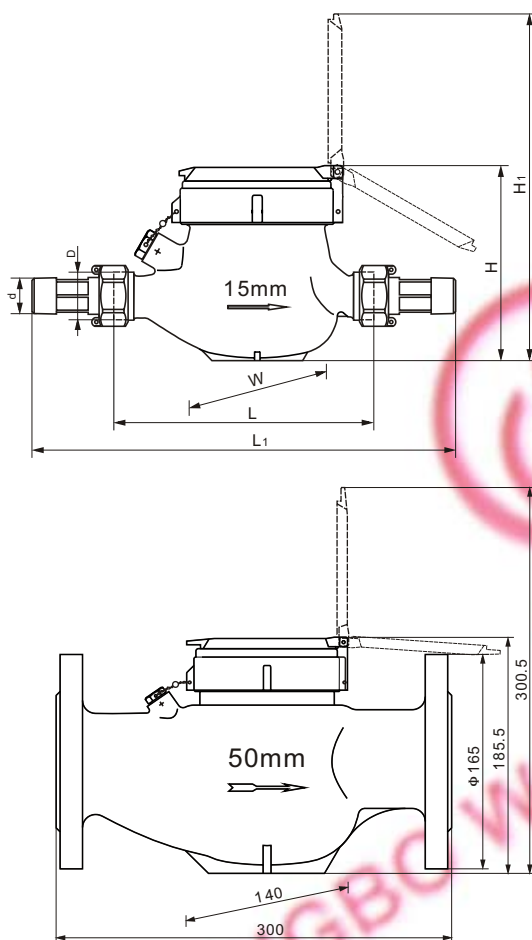
Working Conditions

- Water temperature: 40°C
- Water pressure: 1.6 MPa

Installation Requirements

- The meter should be installed in horizontal position with the direction of the flow as indicated by the arrow cast in the meter body with the register face upwards
- Pipeline must be flushed before installation
- The meter should be constantly full of water during operation

Dimension Picture



Technical Characteristics

Dimensions and Weights

Nominal diameter	DN	15	20	25	32	40	50
Body thread	D	G3/4B	G1B	G1 $\frac{1}{4}$ B	G1 $\frac{1}{2}$ B	G2B	G2 $\frac{1}{2}$ B
Connector thread	d	R1/2	R3/4	R1	R1 $\frac{1}{4}$	R1 $\frac{1}{2}$	R2
Body length	mm	L	165	190	225/260	230/260	245/300
Overall length	mm	L1	259	294	345/380	354/384	376/431
Width	mm	W	94	94	98	98	122
Meter height	mm	H	107.5	107.5	117.5	117.5	141.5
Working height	mm	H1	191	191	206.5	206.5	256.5
Weight without connectors	Kg		1.5	1.6	2.2/2.4	2.7/2.9	4.8/5.1
Weight with connectors	Kg		1.68	1.88	2.72/2.92	3.497/3.69	5.84/6.14

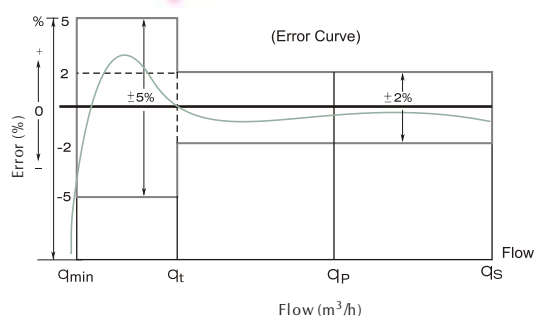
Nominal diameter	DN	15	20
Body thread	D	G3/4B	G1B
Connector thread	d	R1/2	R3/4
Body length for selecting	mm	L	110
Overall length for selecting	mm	L1	204

- "L1" is the total length when coupling gaskets without compression.
- The weight for reference.

Main Technical Data

Nominal diameter	DN	15	20	25	32	40	50
Maximum flow rate	m ³ /h	Q _{max}	3.0	5.0	7.0	12	20.0
Nominal flow rate	m ³ /h	Q _n	1.5	2.5	3.5	6.0	10.0
Transition flow rate	l/h	Q _t	120	200	280	480	800
Minimum flow rate	l/h	Q _{min}	30	50	70	120	200
Indicating range	m ³		99999.9999			999999.9999/999999.999	
Minimum reading	m ³		0.0001			0.0001/0.001	
Minimum scale interval	L		0.05			0.05/0.5	
Pressure loss group at Q _{max}	bar		1				

Accuracy Curve



Maximum Permissible Error

- In the lower zone from Q_{min} inclusive up to but excluding Q_t is ± 5% .
 In the upper zone from Q_t inclusive up to and including Q_{max} is ± 2% .

Head Loss Curve

