

DN15 50 Screw Connection

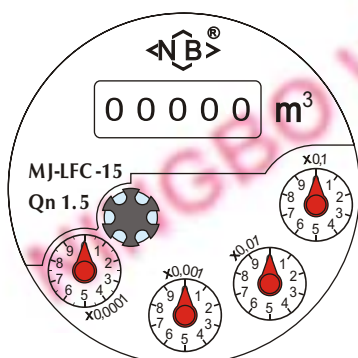


DN50 Flange Connection

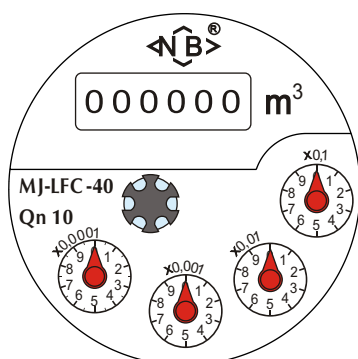


Dial Plate

DN15 DN32



DN40 DN50



MJ-LFC(F3)

Liquid Sealed vane Wheel Water Meter

It is a Liquid Sealed water meter for residential application in sizes 15mm and 50mm for cold meter.

Features

- Mechanical transmission movement equates to maximum reliability
- The chamber of the rollers is liquid filled sealed for protecting the inner parts from moisture and dust penetration
- Sealed wet dial register
- Internal strainer ,inlet strainer for selecting
- External regulating device
- Particularly suited in lower quality water

Standards Compliance

- ISO 4064 Class C for horizontal Installation

Optional Features

- Several lengths and connections available on request
- Non return valve
- U.S.gallon(USG) Cubic Feet (CF) for selecting

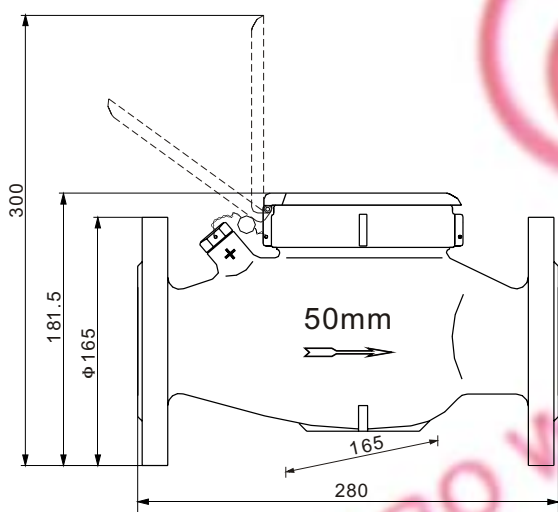
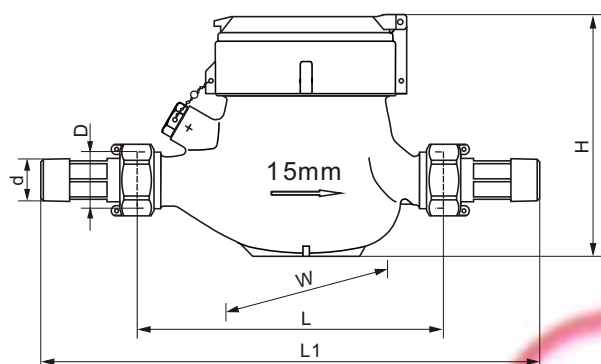
Working Conditions

- Water temperature: 40°C
- Water pressure: 1.6 MPa

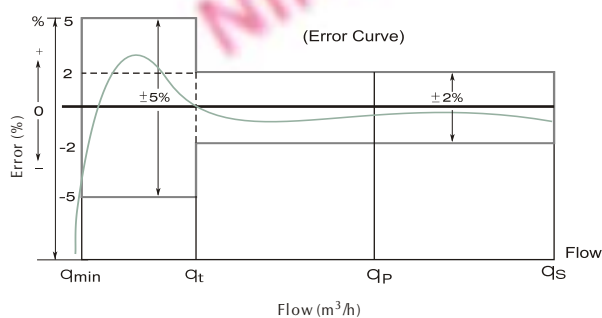
Installation Requirements

- The meter should be installed in horizontal position with the direction of the flow as indicated by the arrow cast in the meter body with the register face upwards
- Pipeline must be flushed before installation
- The meter should be constantly full of water during operation

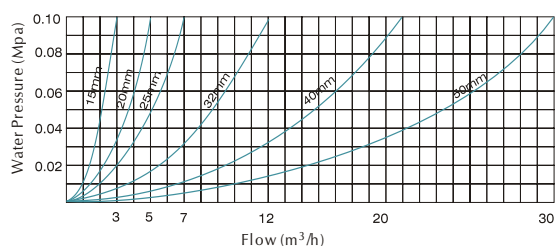
Dimension Picture



Accuracy Curve



Head Loss Curve



Technical Characteristics

Dimensions and Weights

Nominal diameter	DN	15	20	25	32	40	50
Body thread	D	G3/4B	G1B	G1½B	G1¾B	G2B	G2½B
Connector thread	d	R1/2	R3/4	R1	R1 ¼	R1 ½	R2
Body length	mm L	165	190	260/225	260/230	300/245	300/280
Overall length	mm L1	259	294	380/345	384/354	431/376	448/428
Width	mm W	94	94	98	98	122	145
Meter height	mm H	106	106	115	115.5	142	177.5
Weight without connectors	Kg	1.5	1.7	2.6/2.4	2.8/2.7	5.1/4.8	8.5/8.2
Weight with connectors	Kg	1.68	1.98	3.12/2.92	3.6/3.5	6.14/5.84	10.22/9.92

Nominal diameter	DN	15				20	
Body length for selecting	mm L	110	130	145	170	190	160

- "L1" is the total length when coupling gaskets without compression.
- The weight for reference.

Main Technical Data

Nominal diameter	DN	15	20	25	32	40	50
Maximum flow rate	m³/h Qmax	3.0	5.0	7.0	12	20.0	30.0
Nominal flow rate	m³/h Qn	1.5	2.5	3.5	6.0	10.0	15.0
Transition flow rate	l/h Qt	22.5	37.5	52.5	90	150	225
Minimum flow rate	l/h Qmin	15	25	35	60	100	150
Maximum reading	m³	99999.99995				999999.99995,999999.9995	
Minimum reading	m³	0.00005				0.00005/ 0.0005	

Maximum Permissible Error

- In the lower zone from Q_{min} inclusive up to but excluding Q_t is $\pm 5\%$.
 In the upper zone from Q_t inclusive up to and including Q_{max} is $\pm 2\%$.