

DN15~DN32 Screw Connection

## PD-SDC(E3)

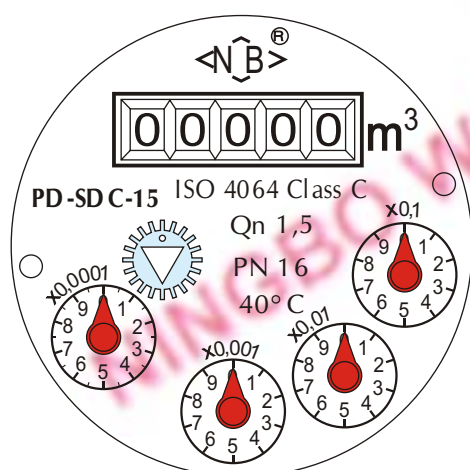
### Volumetric Rotary Piston Water Meter

It is a Rotary Piston water meter for residential application in sizes 15mm and 32mm for cold meter.



#### Dial Plate

DN15 DN32



#### Features

- Ensures high sensitivity and accurate registration throughout a wide flow range
- Low starting flow rate and excellent metrological performance
- Magnetic drive, lower transmission resistance
- Magnetic shield, use for external magnetic field protection
- Sealed dry dial register ensures clear reading
- Register can rotate not more than 360°
- Internal strainer, inlet strainer for selecting
- Outlet non return valve for selecting

#### Standards Compliance

- ISO 4064 Class C Standard

#### Optional Features

- Several lengths and connections available on request
- Can be equipped with reed switch option

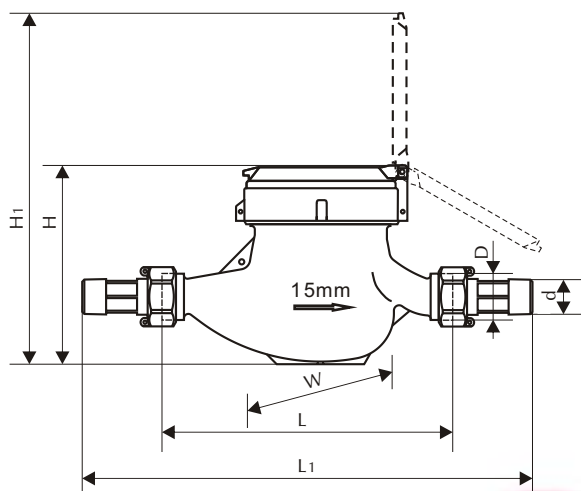
#### Working Conditions

- Water temperature: 40°C
- Water pressure: 1.0 MPa, 1.6 MPa

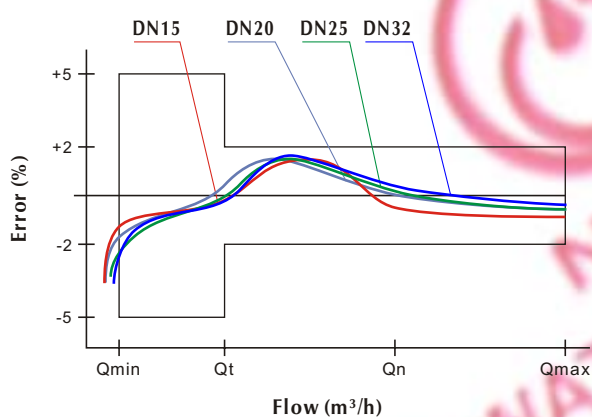
#### Installation Requirements

- The meter can be installed in any position.
- Pipeline must be flushed before installation.
- The meter should be constantly full of water during operation.
- The meter must be installed with the direction of the flow as indicated by the arrow cast in the meter body.

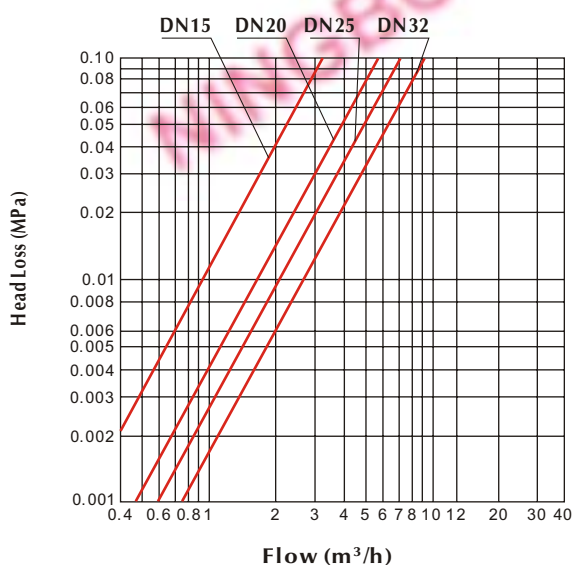
## Dimension Picture



## Accuracy Curve



## Head Loss Curve



## Technical Characteristics

### Dimensions and Weights

Nominal diameter	DN	15	20	25	32
Body thread	D	G3/4B	G1B	G1 1/4B	G1 1/2B
Connector thread	d	R1/2	R3/4	R1	R1 1/4
Body length	mm L	165/170/190	190	260	260
Overall length	mm L1	259/264/284	294	380	380
Width	mm W	96	99	110	110
Meter height	mm H	113	121	143	143
Working height	mm H1	198	204	231	231
Weight with out connectors	Kg	1.4 (L=165)	1.8	2.8	2.8
Weight with connectors	Kg	1.63(L=165)	2.08	3.35	3.35

1. "L1" is the total length when coupling gaskets without compression.
2. The weight for reference.

### Description of the Register

Nominal diameter	DN15/20/25/32
Number of black numbered roller	5
Number of red pointer	4
Maximum reading	m <sup>3</sup> 99999.9999
Minimum reading	m <sup>3</sup> 0.0001
Minimum graduation	L 0.05

### Main Technical Data

Nominal diameter	DN	15	20	25	32
Maximum flow rate	m <sup>3</sup> /h Q <sub>max</sub>	3.0	5.0	7.0	7.0
Nominal flow rate	m <sup>3</sup> /h Q <sub>n</sub>	1.5	2.5	3.5	3.5
Transition flow rate	l/h Q <sub>t</sub>	22.5	37.5	52.5	52.5
Minimum flow rate	l/h Q <sub>min</sub>	15	25	35	35

### Maximum Permissible Error

In the lower zone from Q<sub>min</sub> inclusive up to but excluding Q<sub>t</sub> is ± 5% .

In the upper zone from Q<sub>t</sub> inclusive up to and including Q<sub>max</sub> is ± 2% .