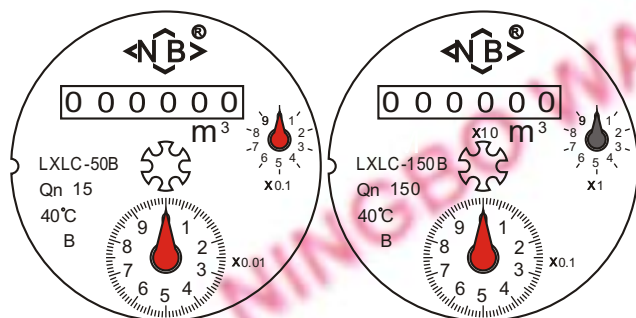
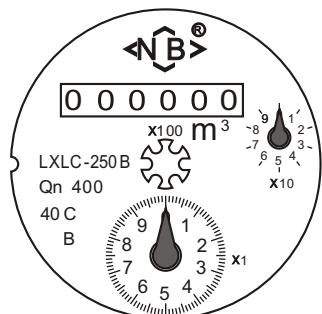


DN50

DN65 DN125

DN150 DN200


Dial Plate

DN40 DN125
DN150 DN200

DN250 DN500


WP-40 500

Removable Element Woltman Water Meter

It is a turbine Removable Element Woltman water meter for industrial and irrigation application in sizes 40mm and 500mm for cold meter.

Features

- Magnetic drive, lower transmission resistance.
- Dry dial register ensures clear reading.
- The body is made of cast iron or ductile cast iron coated with epoxy treatment.
- The measuring mechanism can be removable from the body for checking, maintaining and replacing, and the body don't need to be dismantled from the pipe.
- Low pressure loss, long working life.
- Inter-exchangeable parts.

Standards Compliance

- ISO 4064 Class B Standard

Optional Features

- Reed switch option

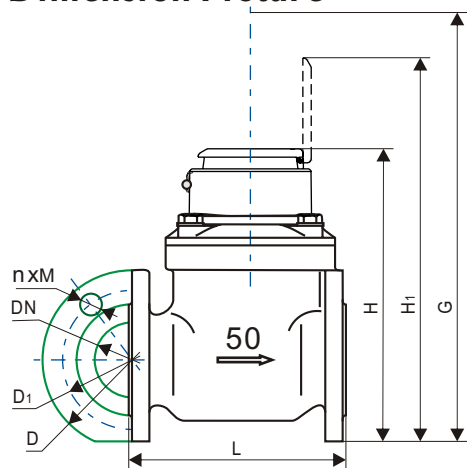
Working Conditions

- Water temperature: 40°C, hot water: 90°C
- Water pressure: 1.6 MPa

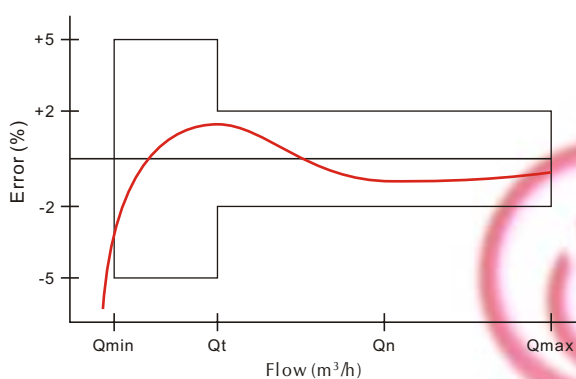
Installation Requirements

- The meter can be installed in any position with the direction of the flow as indicated by the arrow cast in the meter body with the register face upwards.
- The meter must have 10 diameters straight pipe ahead of the meter and 5 diameters straight pipe after to insure proper flow through the meter.
- Pipeline must be flushed before installation.
- The meter should be constantly full of water during operation.

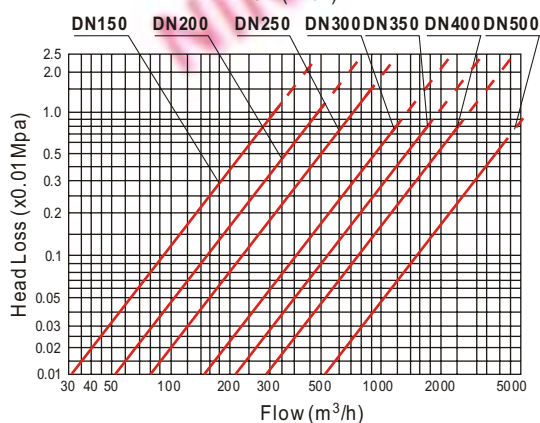
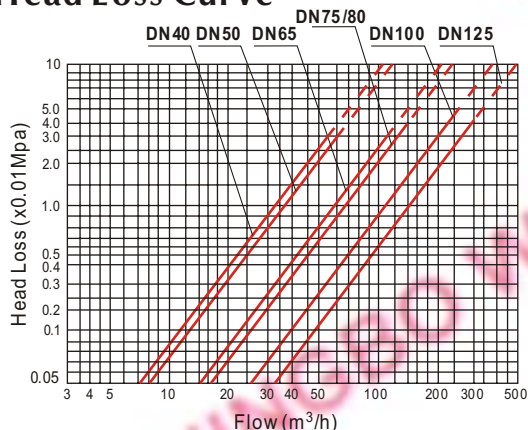
Dimension Picture



Accuracy Curve



Head Loss Curve



Technical Characteristics

Dimensions and Weights for pressure rating PN10

Nominal diameter	DN	40	50	65	75	80	100	125	150	200	250	300	350	400	500	
Length	mm	L	260	200	200	225	225	250	250	300	350	450	500	500	600	800
Height	mm	H	249	256	266	276	276	286	299	345.5	372.5	493	516	516	631	737
Working height	mm	H ₁	321	328	338	348	348	358	371	417.5	444.5	565	588	588	703	809
Height	mm	G	360	400	400	400	400	400	400	500	500	730	730	730	830	931
Outside diameter	mm	D	150	165	185	185	200	220	250	285	340	395	445	445	565	670
Circle diameter	mm	D ₁	110	125	145	150	160	180	210	240	295	350	400	400	515	620
Connecting bolt quantity	nXM		4xM16			8xM16			8xM20			12xM20		16xM24	20xM24	
Meter weight	Kg		12	13	16	16	18	20	42	64	94	114		199	340	
Body weight	Kg		8.9	10.1	11.5	11.5	13.9	18.8	29.6	43	74.4	93		159	290	

Dimensions and Weights for pressure rating PN16

Nominal diameter	DN	40	50	65	75	80	100	125	150	200	250	300	350	400	500	
Length	mm	L	260	200	200	225	225	250	250	300	350	450	500	500	600	800
Height	mm	H	225	232	242	252	252	262	275	325	355	470	497	497	638.5	764
Working height	mm	H ₁	303	303	313	323	323	333	346	396	426	541	568	568	678	782
Height	mm	G	360	360	360	360	360	360	420	420	660	660	660	750	840	
Outside diameter	mm	D	150	165	185	185	200	220	250	285	340	405	460	460	580	715
Circle diameter	mm	D ₁	110	125	145	150	160	180	210	240	295	355	410	410	525	650
Connecting bolt quantity	nXM		4xM16			8xM16			8xM20	12xM20	12xM24		16xM24	20xM30		

Other Body length for selecting

Nominal diameter	mm	For Selecting Length (L) mm	
DN50	mm	250	310
DN65	mm	250	270
DN80	mm	300	413
DN100	mm	360	483
DN150	mm	430	

Main Technical Data

Nominal diameter	DN	40	50	65	75	80	100	125	150	200	250	300	350	400	500
Maximum flow rate	m ³ /h	Q _{max}	20	30	50	80	80	120	200	300	500	800	1200	1600	3000
Nominal flow rate	m ³ /h	Q _n	10	15	25	40	40	60	100	150	250	400	600	800	1500
Transition flow rate	m ³ /h	Q _t	3.0	3.0	5.0	8.0	8.0	12	20	30	50	80	120	160	300
Minimum flow rate	m ³ /h	Q _{min}	0.7	0.45	0.75	1.2	1.2	3.0	4.5	7.5	12	18	24	30	45
Maximum reading	m ³		999999.999						9999999.99			99999999.9			
Minimum reading	m ³		0.001						0.01			0.1			

Description of the Register

Nominal diameter	DN 40/DN 50/65/75/80/100/125	DN 150/200	DN 250/300/350/400/500	
Number of black numbered roller	6	6	6	
Number of red numbered roller	0	0	0	
Number of black pointer	0	1	2	
Number of red pointer	2	1	0	
Maximum reading	m ³	999999.99	9999999.9	99999999
Minimum reading	m ³	0.01	0.1	1
Minimum graduation	L	1	10	100

Maximum Permissible Error (both class A and class B)

Cold water:

In the lower zone from Q_{min} inclusive up to but excluding Q_t is ± 5% .

In the upper zone from Q_t inclusive up to and including Q_{max} is ± 2% .

Hot water:

In the lower zone from Q_{min} inclusive up to but excluding Q_t is ± 5% .

In the upper zone from Q_t inclusive up to and including Q_{max} is ± 3% .