



SJ-SDC(D3)

Single-jet Super Dry Cold Water Meter

It is a single-jet Super dry water meter for residential application in sizes 15mm and 40mm for cold meter.

Features

- Magnetic drive, lower transmission resistance
- Magnetic shield, for external magnetic field protection
- Sealed dry dial register ensures clear reading
- Register can rotate more than 360° for easily reading in any position

Standards Compliance

- ISO 4064 Class B for horizontal Installation

Optional Features

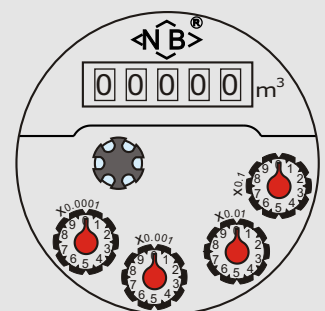
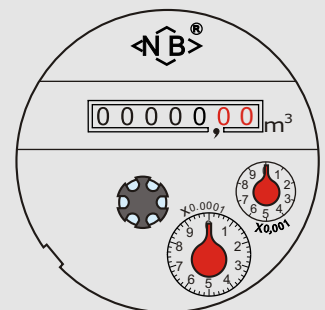
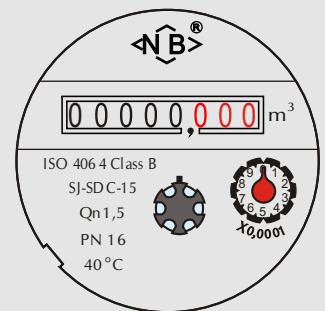
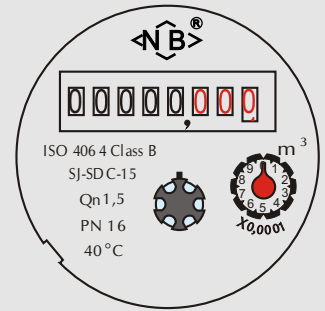
- Several lengths and connections available on request
- Non return valve
- U.S.Gallon(U.S.G) for selecting
- Can be equipped with reed switch option

Working Conditions

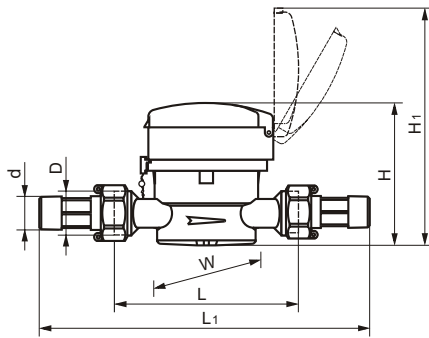
- Water temperature: 40°C
- Water pressure: 1.6 MPa

Installation Requirements

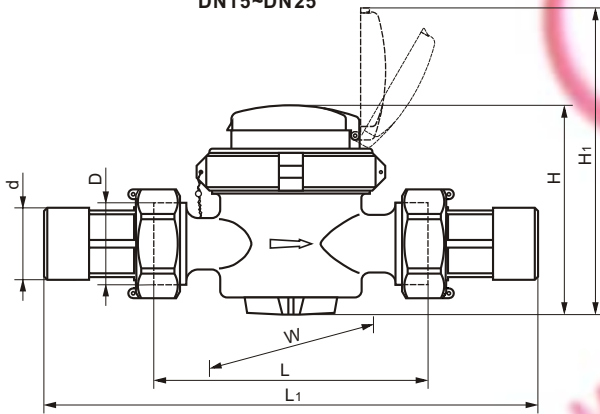
- The meter should be installed in horizontal position with the register face upwards.
- The meter must be installed with the direction of the flow as indicated by the arrow cast in the meter body.
- Pipeline must be flushed before installation.
- The meter should be constantly full of water during operation.



Dimension Picture

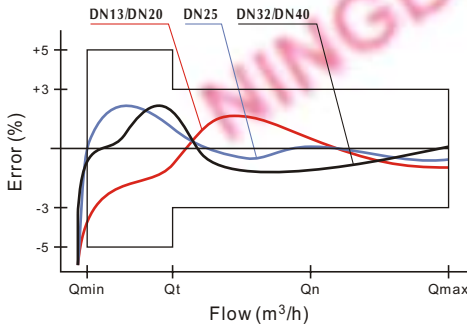


DN15~DN25

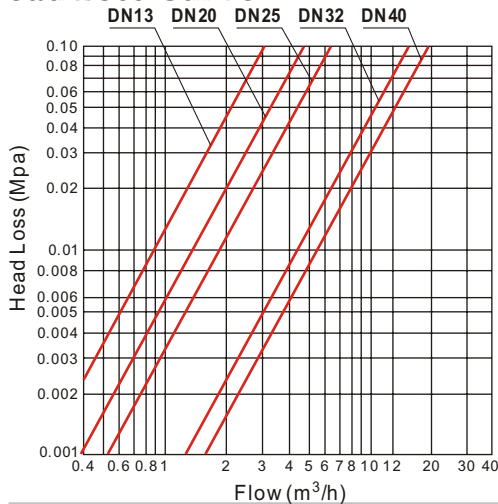


DN32~DN40

Accuracy Curve



Head Loss Curve



Technical Characteristics

Dimensions and Weights

Nominal diameter	DN	13	20	25	32	40
Body thread	D	G3/4B	G1B	G1½B	G1½B	G2B
Connector thread	d	R1/2	R3/4	R1	R1¼	R1½
Body length	mm L	80/110	130	160	160	200
Overall length	mm L1	174/204	234	280	284	331
Width	mm W	80	80	80	110	110
Meter height	mm H	88	88	96	123	123
Working height	mm H1	143	143	151	178	178
Weight without connectors	Kg	0.5/0.6	0.7	1.05	2.1	2.43
Weight with connectors	Kg	0.68/0.78	0.98	1.57	2.89	3.47

1. "L1" is the total length when coupling gaskets without compression.
2. The weight for reference.

Main Technical Data

Nominal diameter	DN	13	20	25	32	40
Maximum flow rate	m³/h Qmax	3.0	5.0	7.0	12.0	20.0
Nominal flow rate	m³/h Qn	1.5	2.5	3.5	6.0	10.0
Transition flow rate	l/h Qt	120	200	280	480	800
Minimum flow rate	l/h Qmin	30	50	70	120	200

Description of the Register

Nominal diameter	DN13/20/25/32/40
Number of black numbered roller	5
Number of red numbered roller	3
Number of red pointer	1
Maximum reading	m³ 99999.9999
Minimum reading	m³ 0.0001
Minimum graduation	L 0.05

Maximum Permissible Error

In the lower zone from Q_{min} inclusive up to but excluding Q_t is $\pm 5\%$.

In the upper zone from Q_t inclusive up to and including Q_{max} is $\pm 2\%$.